



INSIGHT-ONE

All-in-One HD Endoscopic dual camera system

INSIGHT-ONE



Insight-one is an all in one system with HD camera, a medical light source and LED display. Dual camera system can be used for a variety of different medical purposes. Space saving design cart is easy to move with wheel.

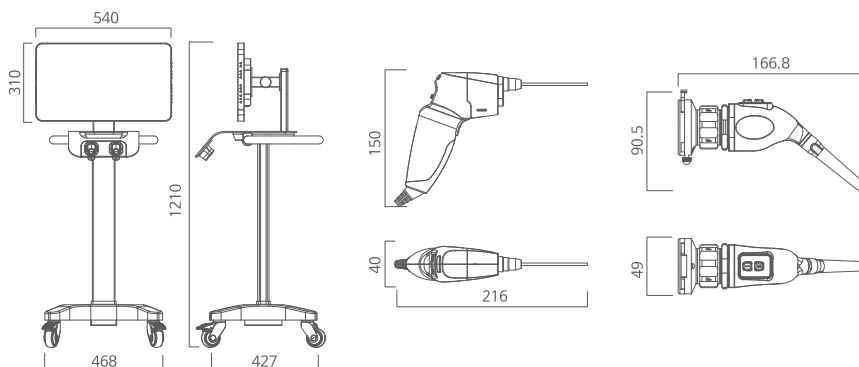
■ Features

- Integrated HD Camera system with 21.5" LED monitor
- Improved clarity and brightness
- High Noise immunity
- Adjustable Focus & Mode (Capture, Environment)
- Compatible with a wide range of endoscopes
- Various additional video output
- User friendly design
- Well-Designed Cart for convenient use



■ Specifications

- | | |
|---------------------|--|
| • Resolution | 1280X720, 60fps |
| • Light Source | LED |
| • Illuminance | 30,000 Lux |
| • Color Temperature | 5,000K |
| • Dimension | One-Camera otoscope : 2.7Φ,0°,100mm |
| • Weight | Approx. 30Kg (including cart) |
| • Power Supply | 100-240V AC, 50/60Hz
49W (12V DC, 3.4A) power consumption |



■ Applications

- Medical diagnosis - Internal medicine, Otolaryngology, Pediatrics etc.