



Design to all types

Jumong General

SG Healthcare Jumong General

Conventional radiography specifications

Best choice in Conventional systems

Jumong General



Ideal choice for a complete range of radiographic procedures
and eliminates the need for costly room modifications

Analyze your needs and bring solutions

Tube positioning can be performed easily and quickly
with our fine-tuned weight balance mechanism



Contents

1.	Overview of room configurations	3
1.1	Room dimensions	4
2.	Rooms	5
2.1	Efficient room	5
2.2	System dimensions	6
3.	X-ray generation	7
3.1	Generator	7
3.2	X-ray tube	7
3.3	Collimator	7
4.	Floor rail tube stand	8
4.1	Floor rail tube stand	8
5.	Wall stand	9
5.1	Wall stand	9
6.	Table	10
6.1	Floating table	10
6.2	Floating movement	10
7.	Service	11

1. Overview of room configurations

Jumong General is a productive efficient solution for your daily clinical practice. The combination of space saving upright stand, floor-mounted and floating table are designed for high quality performance with minimum investment. Jumong General provides fast-easy workflow, advanced images, and high reliability for all radiology needs.



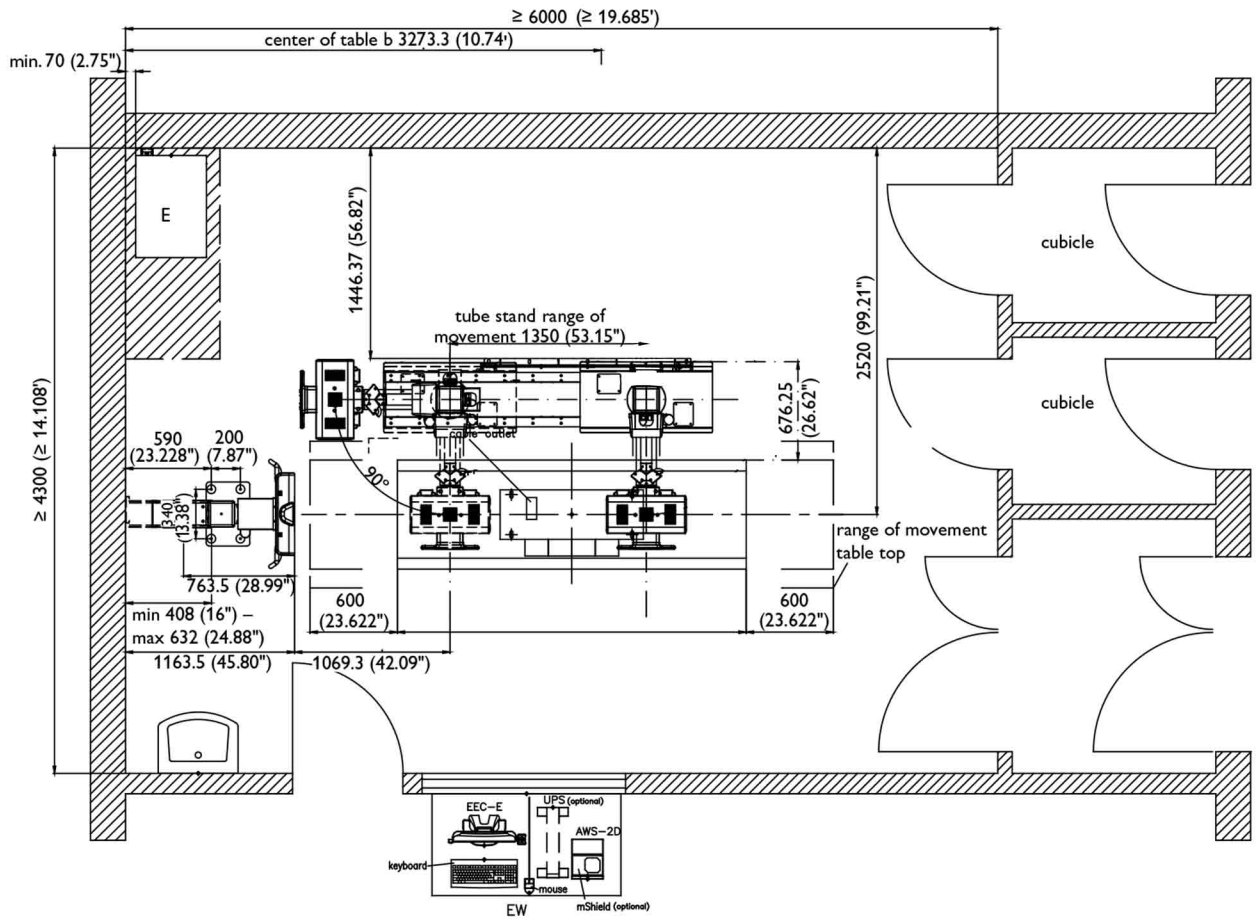
Efficiency room



Value room

1.1 Room dimensions

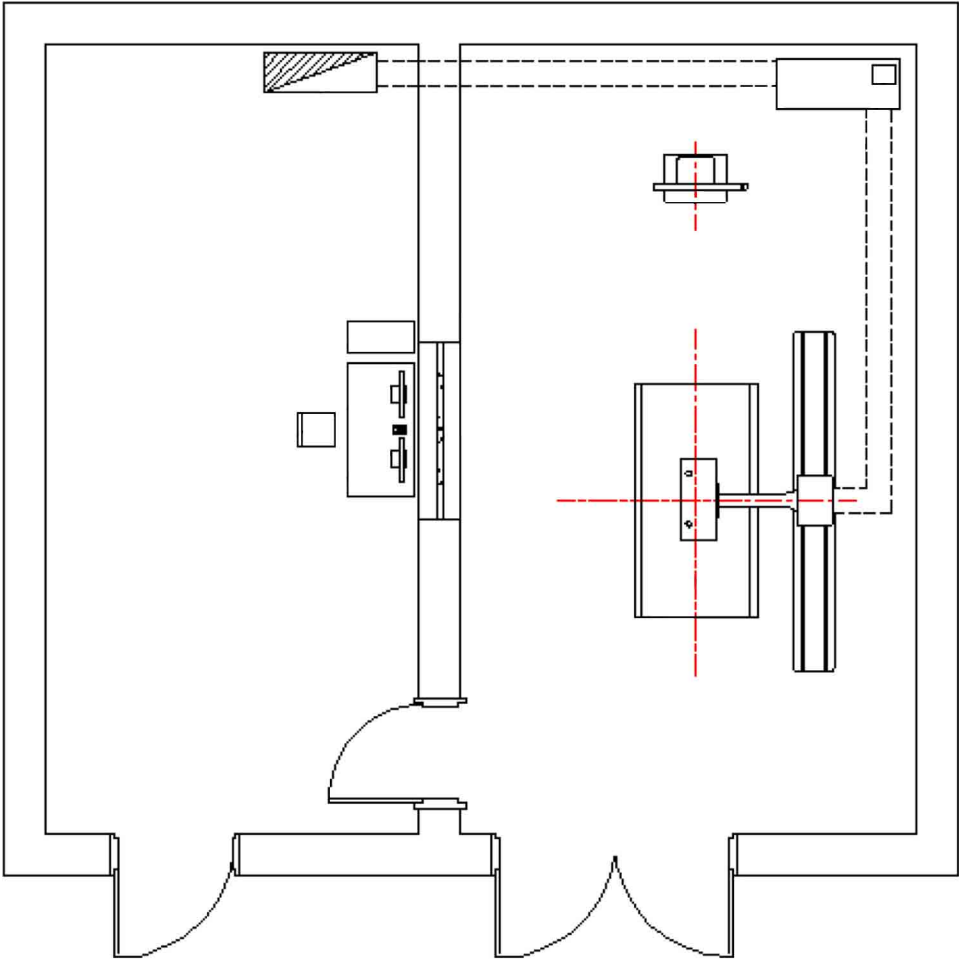
All dimensions in mm



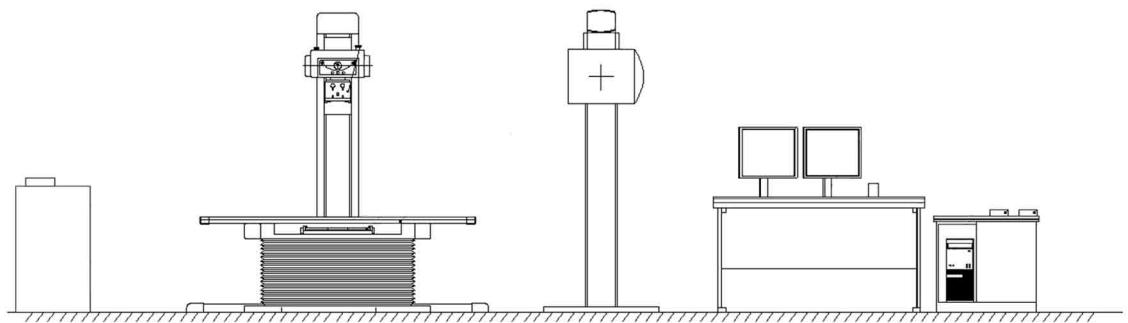
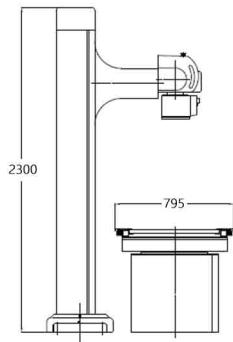
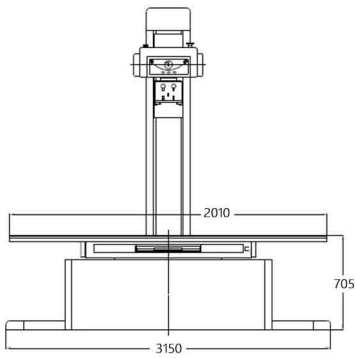
2. Rooms

SG HealthCare Jumong General Efficiency room supports healthcare professionals with a user-friendly workflow. It provides satisfactions for both of clinical advantages and economic values.

2.1 Efficient room



2.2 System dimensions



3. X-ray generation

Dual-focus rotating anode X-ray tubes deliver superb performance over a long lifetime. It uses high performance components which can be joined into customer specific solutions. Also, generators feature a modern architecture based on a modular design. The generator control console is integrated in the fineview user interface to simplify workflow.

3.1 Generator

- CPI 40kw
 - Single/Three phase, 220VAC±10%/400VAC±10%
 - 40-150kv in 1kv increments
 - Options
50kw, AEC
-

3.2 X-ray tube

- Anode Heat Storage Capacity: 140KHU (Toshiba 7239)
 - Housing Heat Store Capacity: min.1250KHU
 - Focal Spot: 1.0/2.0mm
 - Options
300KHU
-

3.3 Collimator

- Manual Collimator
 - Options
CU or AL filters
Laser centering and time adjusted light system
With Ruler
-



4. Floor rail tube stand

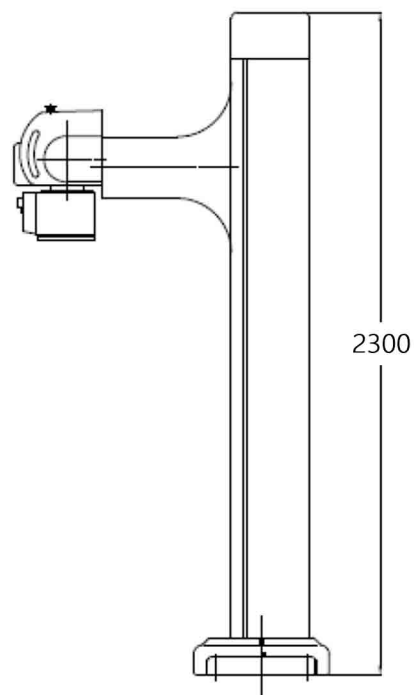
Ease move floor-mounted x-ray tube handles difficult projection angles for various applications Large travel range of tube rotation allows flexibility for your clinical practice.

4.1 Floor rail tube stand

- Tube stand rotation: Catch point every 90°
 - Tube rotation range: $\pm 180^\circ$ (Catch point at $\pm 90^\circ$)
 - Lock: Electric magnet brake
 - Motorized vertical movement
 - Manual horizontal movement
-

Movement range

- Vertical: Min.400mm-Max.1790mm
- Horizontal: 2080mm



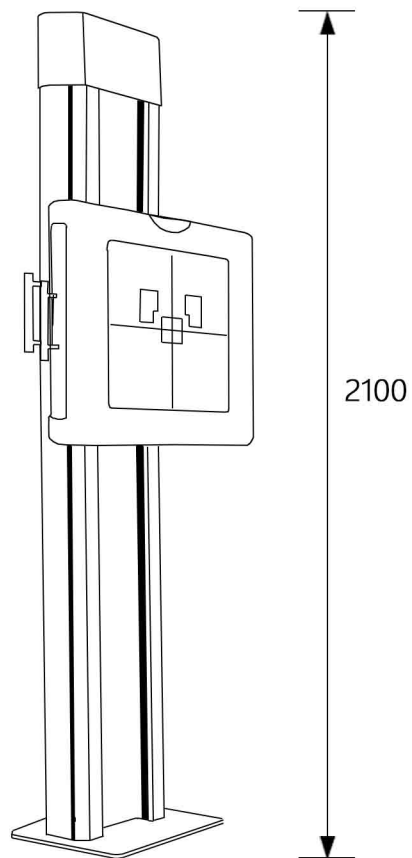
5. Wall stand

Small footprint upright stand provides flexibility for patient comfort and fast time exam procedures.

The large range vertical movement allows patient exams at different heights.

5.1 Wall stand

- Movement: Manual by handle
- Movement range: Min. 420mm-Max. 1730mm from floor



6. Table

Four way floating table smoothly works for patient comfort and stability.

6.1 Floating table

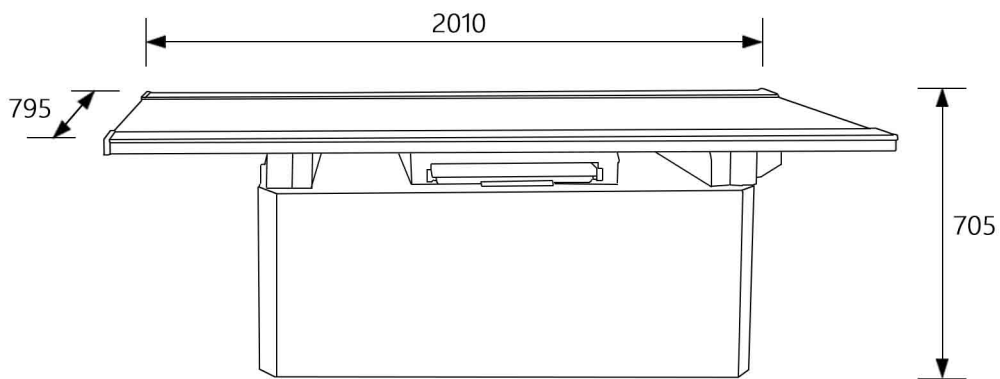
- Low X-ray attenuation material table
 - Length: 201cm/79.1 in
 - Width: 79.5cm/31.3 in
 - Height from floor: 70.5 cm/27.8 in
-

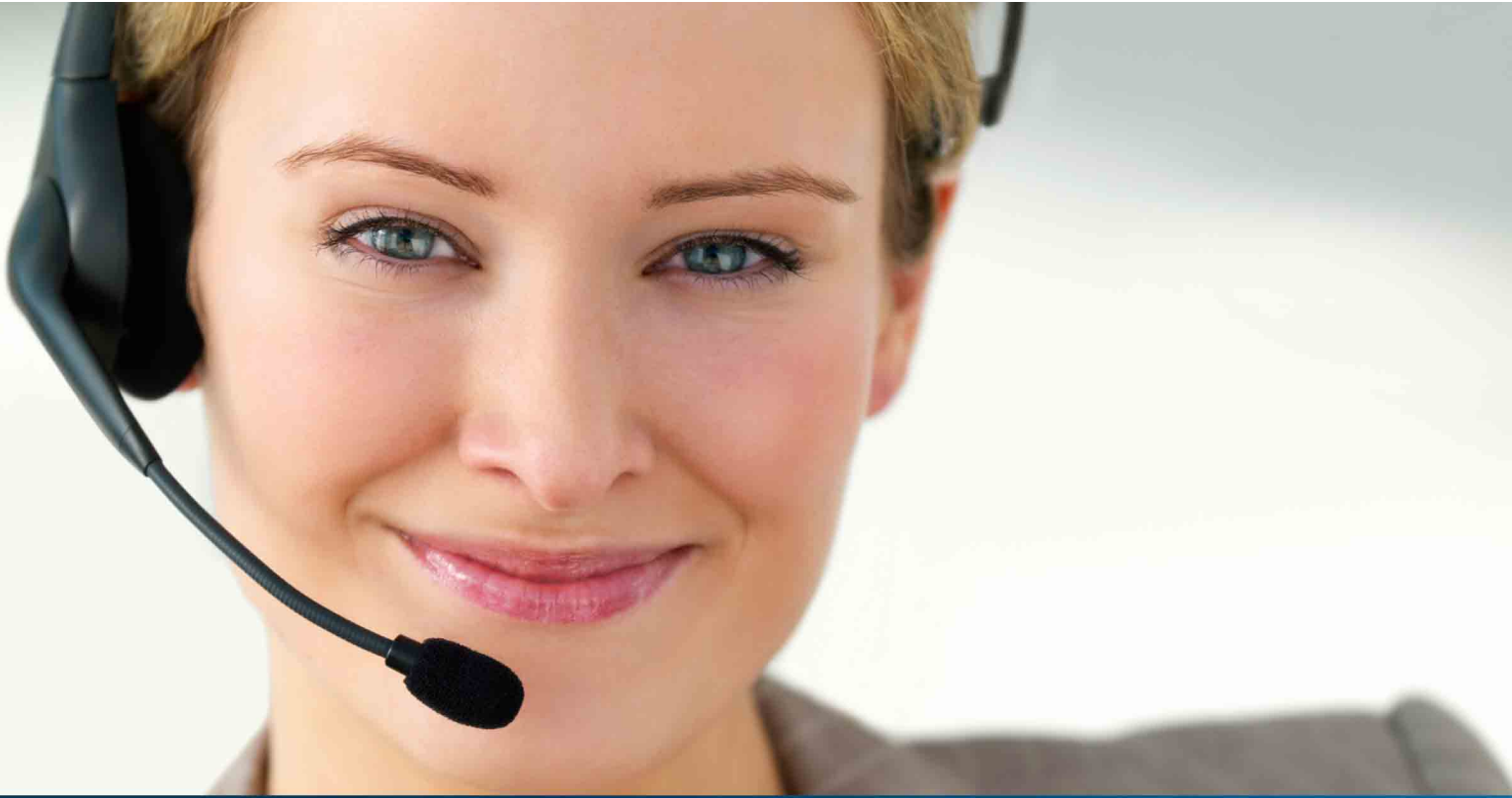
6.2 Floating Movement

- Transverse: 265mm
 - Longitudinal: +/- 500mm
-

Dimensions

All dimensions in mm





7. Service

Customer Oriented



Your values are of utmost importance to us. As a leading medical diagnostic device manufacturer, we take full responsibility in satisfying your needs by providing high quality products to the global market. Also, by collaborating user friendly interface and design, we actualize your desires and needs. We promise to stand by your side and always strive to add pleasure at your work place.

Approved Quality



We put great deal of emphasis on well-being of mankind. SG Healthcare upholds this value by manufacturing reliable and reasonable medical diagnostic devices. And also by distributing our quality products all over the world through fortified SG Healthcare's global network, we wish to present better life for every little breath.

24/7 Fast response



We embrace all challenges and counter act with pride and quickness to all claims. Fast response offers customers with satisfaction and improves reliability of SG Healthcare. We strive to provide the most comprehensive service for every claim, regardless of location and time. This is how we have maintained friendship over 30 countries worldwide.



753 ITECO, 150 Jojeong-Daero, Hanam-Si, Gyeonggi-Do, 465-736, Korea
4801 Wilshire Blvd, Ste. 104 Los Angeles, CA 90010 USA

Copyright © SG HealthCare Co.,Ltd. All Rights Reserved.

How to reach us

www.sghealthcare.com

sales@sghealthcare.com

Tel +82 (0)31 790 0647 / FAX +82 (0)31 790 0604